

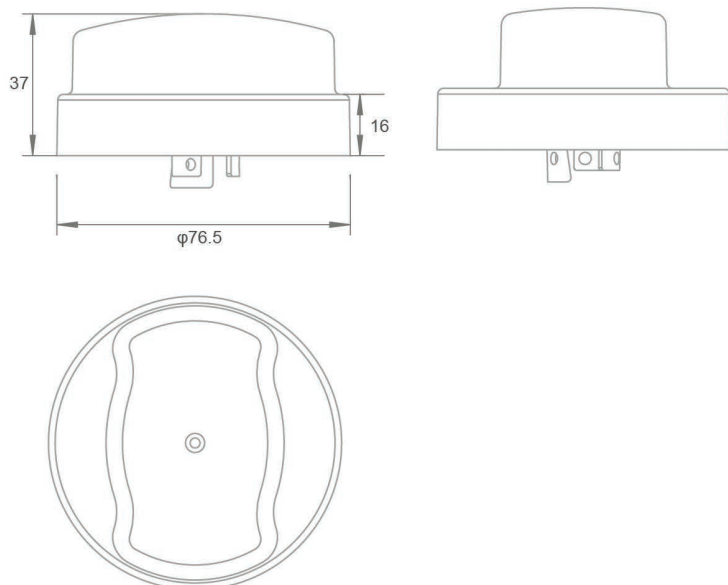
## Shorting Cap

NEMA Twist-lock






## PRODUCT SUMMARY

- Intend to short a twist-lock photocontrol receptacle while under maintenance
- ANSI C136.10 Twist-lock
- IP66 protection while installed
- Surge protection available
- UV stabilized Polycarbonate enclosure
- High impact Polybutylene Terephthalate base
- Easy-to-handle Twist-bar Enclosure



## SPECIFICATIONS

Model No.	P10053 SEN-PHO-LK-MT/SRT
Rated Loading	7200W Tungsten , 7200VA Ballast
Maximum Voltage	0-480VAC
Rated Frequency	50/60Hz
Ambient Temperature	-40°C ~ +70°C
Related Humidity	96%
Shell Material	PC
IP Level	IP66
Certifications	  

## INSTALLATION

Disconnect power; wire the receptacle according to the diagram below. Push the Shorting Cap on and twist it clockwise to lock it into the receptacle.

